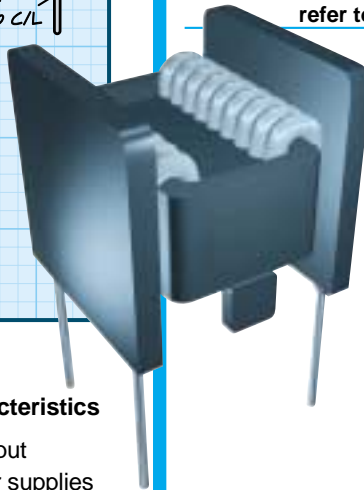
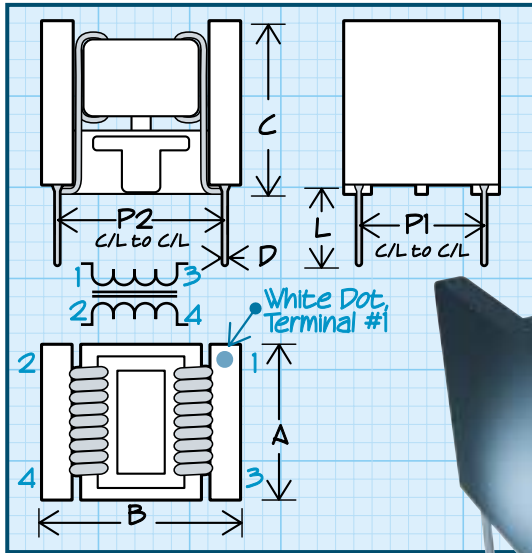


High Performance Line Filters



Compact sized, high performance ferrites with superior frequency characteristics

A serious countermeasure against output common-mode noise for switching power supplies and switching AC adapters.

Vastly improves noise immunity for personal computers, word processors, peripherals, terminals and equipment using microprocessors.

Physical Parameters

	Inches	Millimeters
A	0.295 Max	7.5 Max
B	0.413 Max	10.5 Max
C	0.314 Max	8.0 Max
D	0.023 Nom	0.6 Nom
L	0.18 ± 0.03	4.6 ± 1.0
P1	0.19 ± 0.01	5.0 ± 0.5
P2	0.295 ± 0.01	7.5 ± 0.5

Operating Temperature Range -55°C to +125°C

Packaging Bulk only.

Mechanical configuration Units designed for easy thru-hole mounting. Ferrite core; base carries a UL94V-O rating.

Insulation Resistance >10 MOhm (100 VDC, between lines)

Test Voltage 200 VDC (1 minute between lines)

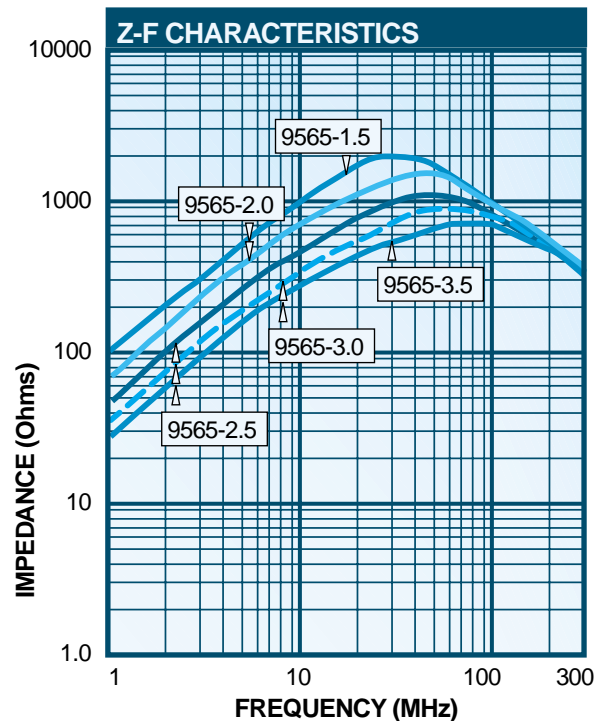
Impedances are measured on the HP4191A Impedance Analyzer.

Inductances are measured on the Wayne Kerr 3245 Inductance Analyzer.

DASH NUMBER*	FREQUENCY RANGE (MHz)	VOLTAGE RATING	INDUCTANCE (µH) Min.	CURRENT RATING MAXIMUM (Amps)	DC RESISTANCE MAXIMUM (mOhms) PER LINE	25 MHz	100 MHz
-1.5	10 - 200	50V	22	1.5	60	1820	900
-2.0	10 - 200	50V	15	2.0	40	1220	900
-2.5	10 - 200	50V	10	2.5	30	780	840
-3.0	10 - 200	50V	7.0	3.0	20	600	760
-3.5	10 - 200	50V	5.0	3.5	15	440	655

\*Complete part # must include series # PLUS the dash #

For further surface finish information, refer to TECHNICAL section of this catalog.



For more detailed graphs, contact factory